

# CS 432 Fall 2022

Mike Lam, Professor

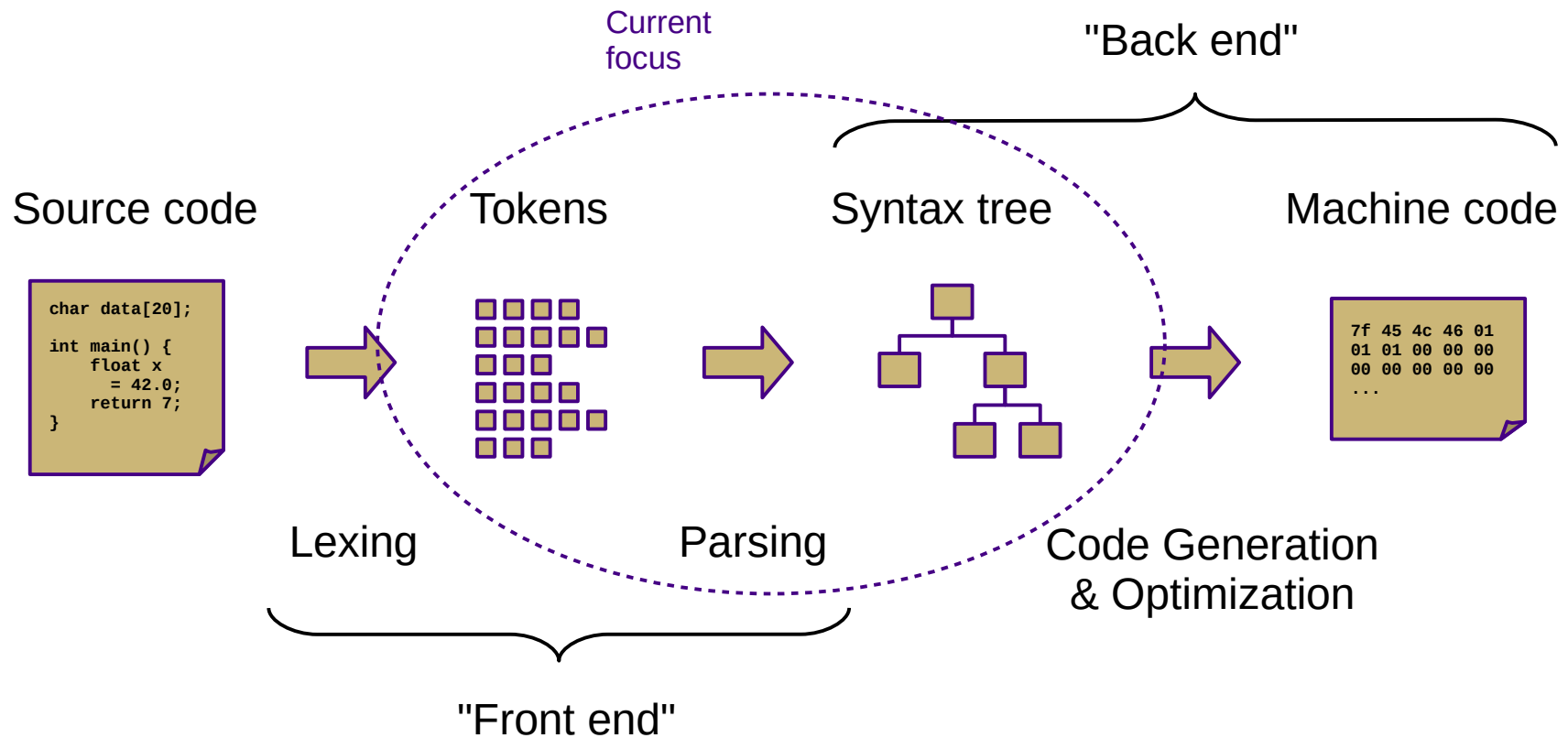
<https://xkcd.com/1090/>



*[audience looks around] "What just happened?"  
"There must be some context we're missing."*

## Context-free Grammars

# Compilation



# Overview

- General programming language topics (e.g., CS 430)
  - **Syntax** (what a program looks like)
  - **Semantics** (what a program means)
  - **Implementation** (how a program executes)

# Syntax

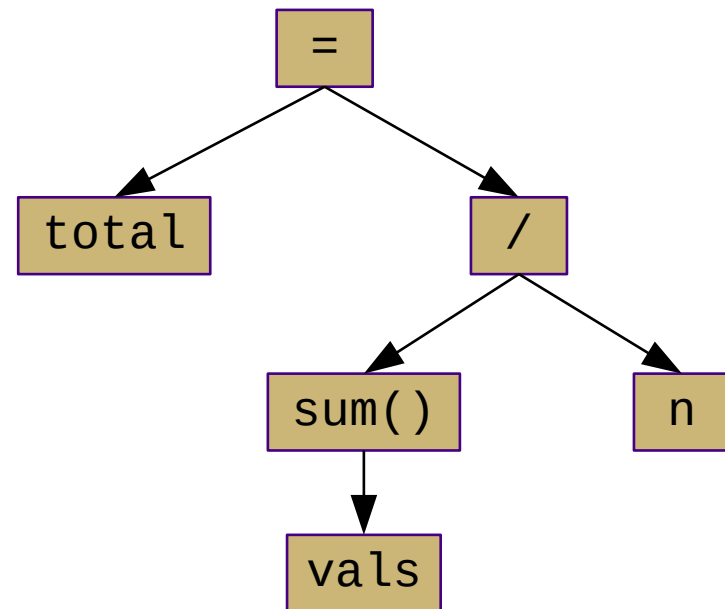
- Textbook: "the form of [a language's] expressions, statements, and program units."
  - In other words, the **form** or **structure** of the code
- Goals of **syntax analysis**:
  - Checking for program validity or correctness
  - Encode semantics (meaning of program)
  - Facilitate translation (compiler) or execution (interpreter)
  - We've already seen the first step (lexing/scanning)

# Syntax Analysis

- Problem: tokens have no structure
  - No inherent relationship between each other
  - Need to make hierarchy of tokens explicit
  - Closer to the *semantics* of the language

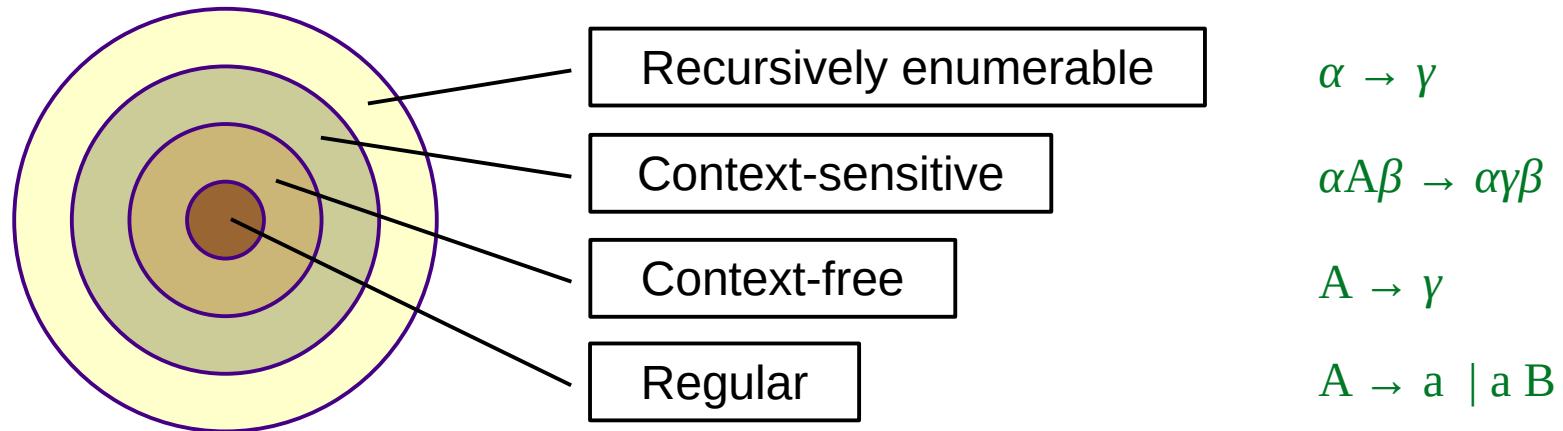
`total = sum(vals) / n`

<code>total</code>	identifier
<code>=</code>	equals_op
<code>sum</code>	identifier
<code>(</code>	left_paren
<code>vals</code>	identifier
<code>)</code>	right_paren
<code>/</code>	divide_op
<code>n</code>	identifier



# Languages

## Chomsky Hierarchy of Languages



NOTE: Greek letters ( $\alpha, \beta, \gamma$ ) indicate arbitrary strings of terminals and/or non-terminals

- Regular languages are not sufficient to describe programming languages
  - Core issue: finite DFAs can't "count" – no way to express  $a^m b^n$  where  $n = f(m)$
  - Consider the language of all matched parentheses  $(\ )^n$
  - How can we solve this to make it feasible to write a compiler?

**Add memory! (and move up the language hierarchy)**

# Languages

- **Chomsky-Schützenberger representation theorem**
  - A language  $L$  over the alphabet  $\Sigma$  is **context-free** if and only if there exists
    - a matched alphabet  $T \cup \bar{T}$
    - a regular language  $R$  over  $T \cup \bar{T}$
    - a mapping  $h : T \cup \bar{T} \rightarrow \Sigma^*$
  - such that  $L = h(D_T \cap R)$
  - where  $D_T = \{ w \in T \cup \bar{T} \mid w \text{ is a correctly-nested sequence of parenthesis} \}$

[https://en.wikipedia.org/wiki/Chomsky-Schützenberger\\_representation\\_theorem](https://en.wikipedia.org/wiki/Chomsky-Schützenberger_representation_theorem)

Basically, all context-free languages can be expressed as the combination of two simpler languages: one being regular and one being composed of correctly-nested sequences of parentheses.

**KEY OBSERVATION:** **Context-free** grammars describe a wider range of languages than **regular** expressions, with the primary new feature being the **ability to count**

# Languages

- **Context-free languages**
  - More expressive than regular languages
    - Expressive enough for “real” programming languages
  - Described by *context-free grammars*
    - Recursive description of the language’s form
    - Encodes hierarchy and structure of language tokens
    - Usually written in Backus-Naur Form
  - Recognized by *pushdown automata*
    - Finite automata + stack
    - Two major approaches: top-down and bottom-up
    - Produces a tree-based intermediate representation of a program
  - Provide ways to control **ambiguity**, **associativity**, and **precedence** in a language



# Context-Free Grammars

- A **context-free grammar** is a 4-tuple  $(T, NT, S, P)$ 
  - T: set of terminal symbols (tokens)
  - NT: set of nonterminal symbols
  - S: start symbol ( $S \in NT$ )
  - P: set of productions or rules:
    - $NT \rightarrow (T \cup NT)^*$

Example:

$$A \rightarrow x A x$$
$$A \rightarrow y$$
$$T = \{x, y\}$$
$$NT = \{A\}$$
$$S = A$$
$$P = \{A \rightarrow x A x, A \rightarrow y\}$$

Strings in language:

y

xyx

xxyyxx

xxxxyxxx

(etc.)

# Context-Free Grammars

- **Backus-Naur Form**: list of context-free grammar rules
  - Usually beginning with start symbol
  - Convention: non-terminals start with upper-case letters
  - Combine rules using “|” operator:

$$\begin{array}{l} E \rightarrow E + E \\ E \rightarrow V \end{array}$$
$$\begin{array}{l} E \rightarrow E + E \\ \quad | \quad V \end{array}$$
$$E \rightarrow E + E \mid V$$

- Several formatting variants:

$$\begin{array}{l} \langle \text{Assign} \rangle ::= \langle \text{Var} \rangle = \langle \text{Expr} \rangle \\ \langle \text{Var} \rangle ::= a \mid b \mid c \\ \langle \text{Expr} \rangle ::= \langle \text{Expr} \rangle + \langle \text{Expr} \rangle \\ \quad \quad | \quad \langle \text{Var} \rangle \end{array}$$
$$\begin{array}{l} A \rightarrow V = E \\ V \rightarrow a \mid b \mid c \\ E \rightarrow E + E \\ \quad | \quad V \end{array}$$

# Context-Free Grammars

- *Non-terminals* vs. *terminals*
  - Terminals are single tokens, non-terminals are aggregations
  - One special non-terminal: the *start symbol*
- Production *rules*
  - Left hand side: **single non-terminal**
  - Right hand side: **sequence of terminals** and/or **non-terminals**
  - LHS can be replaced by the RHS (colloquially: "is composed of")
  - RHS can be empty (or " $\epsilon$ "), meaning it can be composed of nothing
- *Sentence*: a sequence of terminals
  - A sentence is a member of a language if and only if it can be **derived** using the language's grammar

# Context-Free Grammars

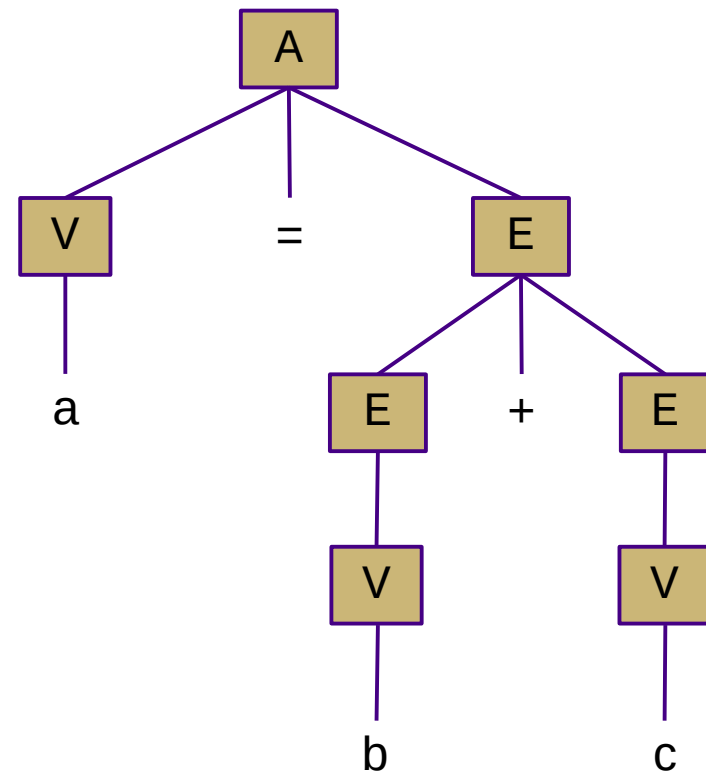
- *Derivation*: a series of grammar-permitted transformations leading to a sentence
  - Begin with the grammar's start symbol (a non-terminal)
  - Each transformation applies exactly one rule
    - Expand one non-terminal to a string of terminals and/or non-terminals
    - Each intermediate string of symbols is a *sentential form*
  - *Leftmost* vs. *rightmost* derivations
    - Which non-terminal do you expand first?
  - *Parse tree* represents a derivation in tree form (the sentence is the sequence of all leaf nodes)
    - Built from the top down during derivation
    - Final parse tree is called *complete* parse tree
    - For a compiler: represents a program, executed from the bottom up

# Example

- Show the **leftmost** derivation and parse tree of the sentence "a = b + c" using this grammar:

$$\begin{aligned} A &\rightarrow V = E \\ V &\rightarrow a \mid b \mid c \\ E &\rightarrow E + E \\ &\mid V \end{aligned}$$

A  
V = E  
a = E  
a = E + E  
a = V + E  
a = b + E  
a = b + V  
a = b + c



# Example

- Let's revisit the “matched parentheses” problem
  - Cannot write a regular expression for  $(^n)^n$
  - How about a context-free grammar?
  - First attempt:

$$\begin{aligned} S &\rightarrow \underline{( S )} \\ S &\rightarrow \varepsilon \end{aligned}$$

empty string!

Use underlining to indicate literal terminals when ambiguous

- Second attempt:

$$\begin{aligned} S &\rightarrow \underline{( S )} S \\ S &\rightarrow \varepsilon \end{aligned}$$

What is wrong with this?

$$\begin{aligned} S &\rightarrow S \underline{( S )} S \\ S &\rightarrow \varepsilon \end{aligned}$$

# Example

What is wrong with this grammar? (Hint: try deriving “00”)

$$S \rightarrow S ( S ) S$$
$$S \rightarrow \varepsilon$$

# Ambiguous Grammars

- An **ambiguous** grammar allows multiple derivations (and therefore parse trees) for the same sentence
  - The syntax may be similar, but there is a difference semantically!
  - Example: if/then/else construct
  - It is important to be precise!
- Often can be eliminated by rewriting the grammar
  - Usually by making one or more rules more restrictive

$$\begin{array}{l} A \rightarrow A + A \\ | A * A \\ | x \end{array}$$

**Ambiguous**  
(Associativity/Precedence)

$$\begin{array}{l} A \rightarrow B \mid C \\ B \rightarrow x \\ C \rightarrow x \end{array}$$

**Ambiguous**  
(Ad-hoc)

$$\begin{array}{l} A \rightarrow \text{ifthen } A \text{ else } A \\ | \text{ifthen } A \\ | \text{stmt} \end{array}$$

**Ambiguous**  
("Dangling Else" Problem)



# Operator Associativity

- Does  $x+y+z = (x+y)+z$  or  $x+(y+z)$ ?
  - Former is **left-associative**
  - Latter is **right-associative**
- Closely related to recursion
  - Left-hand recursion  $\rightarrow$  left associativity
  - Right-hand recursion  $\rightarrow$  right associativity
- Sometimes enforced explicitly in a grammar
  - Different non-terminals on left- and right-hand sides of an operator
  - Sometimes just noted with annotations

$$\begin{array}{c} A \rightarrow A + A \\ | \quad x \end{array}$$

**Ambiguous**

$$\begin{array}{c} A \rightarrow A + x \\ | \quad x \end{array}$$

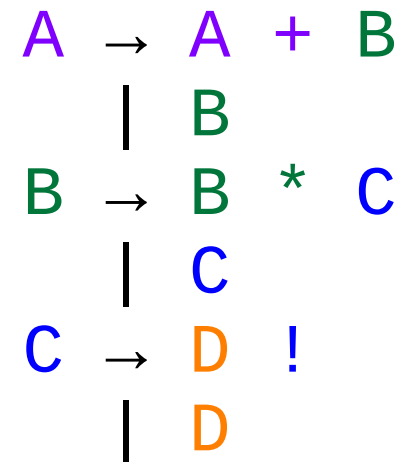
**Left Associative**

$$\begin{array}{c} A \rightarrow x + A \\ | \quad x \end{array}$$

**Right Associative**

# Operator Precedence

- **Precedence** determines the relative priority of operators
- Does  $x+y*z = (x+y)*z$  or  $x+(y*z)$ ?
  - Former: "+" has higher precedence
  - Latter: "\*" has higher precedence
- Sometimes enforced explicitly in a grammar
  - One non-terminal for each level of precedence
    - Each level contains references to the next level
  - Sometimes just noted with annotations
  - Same approach for **unary** and **binary** operators
    - For binary operators: left or right associativity?
    - For unary operators: prefix or postfix? (  $!D$  vs.  $D!$  )
    - For unary operators: is repetition allowed? (  $C!$  vs.  $D!$  )



**Precedence**  
+ (lowest)  
\* (middle)  
! (highest)

# Grammar Examples

$$\begin{array}{l} A \rightarrow A X \\ | X \end{array}$$

**Left Recursive**

$$\begin{array}{l} A \rightarrow X A \\ | X \end{array}$$

**Right Recursive**

$$\begin{array}{l} A \rightarrow A + B \\ | B \\ B \rightarrow C * B \\ | C \\ C \rightarrow X ! \\ | X \end{array}$$

**Associativity/Precedence**  
+ (lowest, binary, left-associative)  
\* (middle, binary, right-associative)  
! (highest, unary, postfix, non-repeatable)

$$\begin{array}{l} A \rightarrow A + X \\ | X \end{array}$$

**Left Associative**

$$\begin{array}{l} A \rightarrow X + A \\ | X \end{array}$$

**Right Associative**

$$\begin{array}{l} A \rightarrow A + A \\ | A * A \\ | X \end{array}$$

**Ambiguous**  
(Associativity/Precedence)

$$\begin{array}{l} A \rightarrow B | C \\ B \rightarrow X \\ C \rightarrow X \end{array}$$

**Ambiguous**  
(Ad-hoc)

$$\begin{array}{l} A \rightarrow \text{ifthen } A \text{ else } A \\ | \text{ifthen } A \\ | \text{stmt} \end{array}$$

**Ambiguous**  
("Dangling Else" Problem)