

EER Wrap-Up Quiz

Question 1. Consider the attached EER model (at the top of the next page).

Answer the following questions and **explain** how you got the answer from the diagram notation.

- What are the attributes of a **Y**?

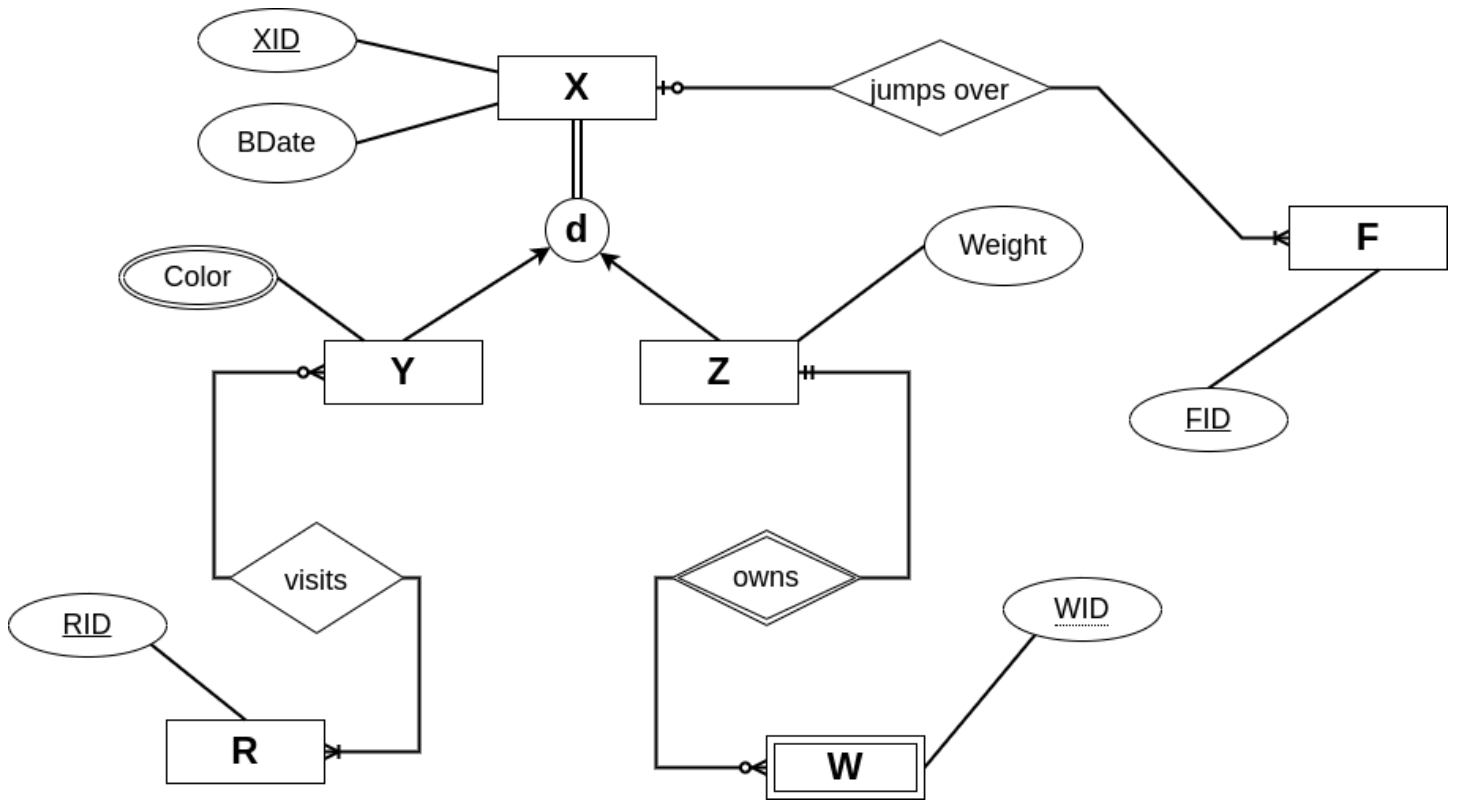
- What is the unique identifier of a **W**?

- True or False: Whatever *jumps over* an **F** is either a **Y** or a **Z**.

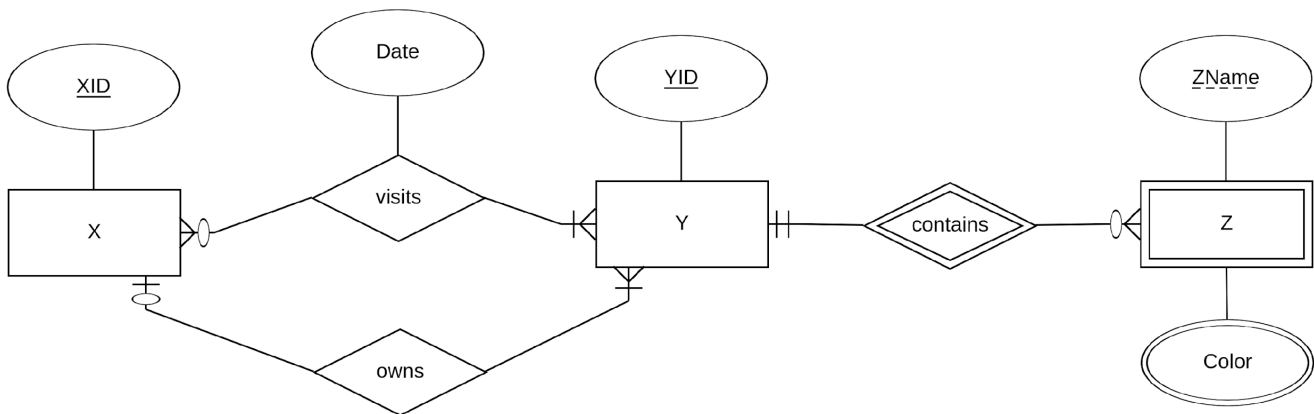
- Identify the multi-valued attribute in the diagram and explain what it tells us about **Y**'s.

- True or False: An **R** may be *visited* by something that does not *jump over* an **F**.

- What are the minimum and maximum number of **Y**'s an **R** may be *visited* by?



Question 2. Write everything that you can know based on reading the ER model below. Use just plain, regular language – **do not** use any technical terminology like *weak entity*, or *mandatory relationship*. Two facts are already written as an example.



An X is uniquely identified by its XID.
An X owns at least one Y.